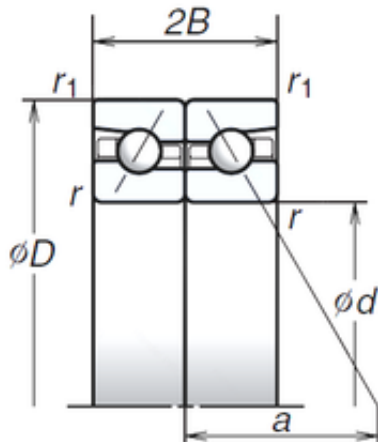




ISO Bearing Rolamentos do Brasil Ltda.



50BAR10H Bearing 2D drawings and 3D CAD models

50 mm x 80 mm x 14,25 mm NSK 50BAR10H
Rodas de aço pressionadas Fila única Linhas
Angulares Barbas de Bola

Bearing No. 50BAR10H

Size	50x80x14.25 mm
Bore Diameter	50 mm
Outer Diameter	80 mm
Width	14,25 mm
d	50 mm
D	80 mm
B	14,25 mm
C	14,25 mm
Angle (°)	30 °
a	25,7 mm
r min.	1 mm
r1 min.	0,6 mm
2B	28,5 mm
Weight	0,257 Kg
Basic dynamic load rating (C)	14,7 kN
Basic static load rating (C0)	27,7 kN
(Grease) Lubrication Speed	13 100 r/min
(Oil) Lubrication Speed	16 200 r/min