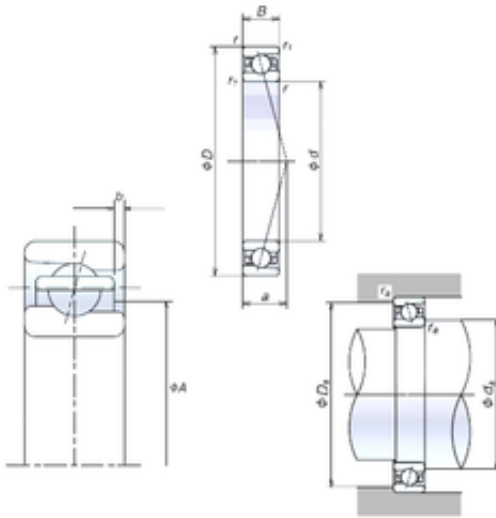




## ISO Bearing Rolamentos do Brasil Ltda.



35BER10H Bearing 2D drawings and 3D CAD models

35 mm x 62 mm x 14 mm NSK 35BER10H  
Rodas de aço pressionadas Filas Únicas Linhas  
Angulares Barbas de Bola

Bearing No. 35BER10H

Size	35x62x14 mm
Bore Diameter	35 mm
Outer Diameter	62 mm
Width	14 mm
d	35 mm
D	62 mm
B	14 mm
C	14 mm
Angle ( ° )	25 °
a	18,2 mm
b	1,2 mm
r min.	1 mm
r1 min.	0,6 mm
A	44,5 mm
da min.	41 mm
Da max.	56 mm
ra max.	1 mm
Weight	0,154 Kg
Basic dynamic load rating (C)	9,7 kN
Basic static load rating (C0)	6,85 kN
(Grease) Lubrication Speed	33000 r/min